

DESCRIPTION

DCPOW-1 is a DC power supply module that plugs into the *XBERT* and *ParalleX™* Chassis. With 3 independent factory set output voltages of 5.0V, 3.3V, and 1.8V, the module is ideal for powering a user's DUT (Device Under Test). Front panel indicators give indication of current limit being reached.

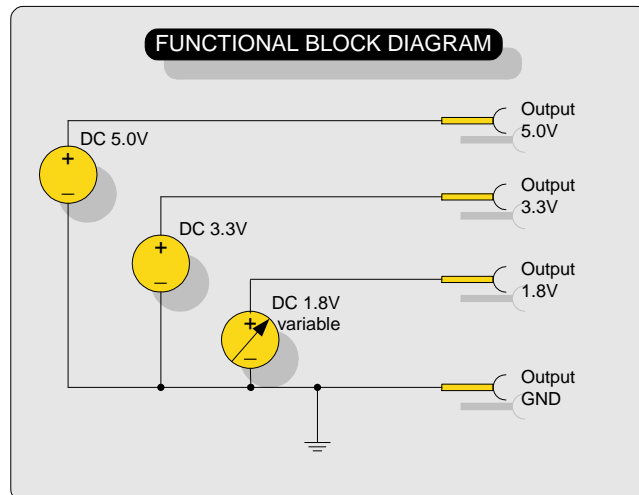
Although intended for use with the EBERT pattern generator/error detector, the DCPOW-1 finds a variety of other applications as a low-cost DC power supply.



DC POWER SUPPLY MODULE PN L-6001-DCPOW-1

KEY FEATURES

- 3 independent factory set output voltages
 - 5.0V
 - 3.3V
 - 1.8V
- The 1.8V rail can be factory set to a different voltage within the range 1.3 to 5.0V on request
- Current limit 500mA per rail
- Over current protection
- Small size: width 25.4mm (1")



XBERT PLATFORM: LETS YOU START SMALL AND GROW BIG

XBERT is a low-cost, modular Bit Error Rate Test Platform used for verification and test of 10Gb/s and above optical and electrical chip, sub assembly and system designs. *ParalleX™* allows users to perform several BER tests at once using a single clock source. The system is ideal for developers desiring to run simultaneous BER tests on parallel interfaces or multiple independent interfaces. *XBERT* and *ParalleX™* are scalable so users can start off with a single channel and add modules to grow the system. Manufacturers can realize great savings by taking advantage of the *XBERT* and *ParalleX™* system's scalability to perform parallel testing in volume production environments.

DC Power Supply Module PN L-6001-DCPOW-1

KEY PERFORMANCE PARAMETERS

PARAMETER	SYMBOL	Min	Max	UNIT	NOTE
Output Voltage 1	V_{Out1}	4.95	5.05	V	
Output Voltage 2	V_{Out2}	3.25	3.35	V	
Output Voltage 3	V_{Out3}	1.75	1.85	V	1
Maximum Output Current per Rail	I_{Out}	500	600	mA	

Note:

- 1 Other voltages for output 3 are available on request. See Option 111
- **Option 111.** This option is for a user specified and factory set voltage within the range 1.3 to 5.0V.