

Flexible test solutions for ...1G 5G 10G 14G 40G 100G and beyond



PARALLEX® PLATFORM: LETS YOU START SMALL AND GROW BIG

PARALLEX® is a low-cost, modular Bit Error Rate Test Platform used for verification and test of optical and electrical components, sub-assemblies and systems at 1 to 28 Gbps. PARALLEX® allows users to perform several BER tests simultaneously using a single clock source. The system is ideal for parallel interfaces or multiple independent interfaces.



independent interfaces.

PARALLEX® is scalable so users can start off with a single channel and add modules to grow the system. Manufacturers can realize great savings by taking advantage of the PARALLEX® system's scalability to perform parallel testing in volume production environments.



E-BERT – 1Gbps to 14.4Gbps BERT

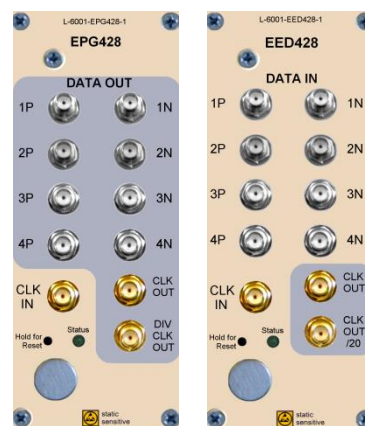
The pair of Pattern generator and Error Detector modules offers a comprehensive feature set for BER testing.



- Pattern PRBS 7, 9, 10, 11,15, 23, 31
- User pattern 8kbyte
- Standard preset patterns like 0101..., K28.5, CJPAT
- Detectable BER down to 0.5
- Pattern synchronization down to BER 1.E-3
- Single Error injection or BER
- Electrical interfaces – 50 Ohms
- Pattern Trigger output
- Data logging

E-BERT – 2Gbps to 28Gbps BERT 4-Channel

The 4-channel Pattern generator and Error Detector modules extend the data rate range up to 28G.



- PG pattern PRBS 9,15,31
- ED pattern PRBS 7,9,15,23,31
- Electrical interfaces – 50 Ohms
- High speed and low speed clock output
- Data logging

CLOCK SOURCE

The Clock Source Module provides a continuous range from 78 MHz to 20 GHz. Optionally a divided clock output is offered to enable usage of scopes with limited trigger bandwidth.

Also works as **clock multiplier**.



PHASE SHIFTER 200ps



For evaluating crosstalk effects this multi channel phase shifter is the ideal tool. It can shift each of the six channels by ± 200 ps.

For higher channel count multiple phase shifters can be synchronized.

FURTHER ELECTRICAL MODULES:

- DeEmphasis 14G, 28G
- Clock Divider 1-256
- Clock Recovery

VARIETY OF OPTICAL FUNCTIONS

Optical Power Meter

+10 to -70dBm, 800nm to 1700nm

Variable Optical Attenuator

1 to 55 dB, Single mode and Multi mode versions
Includes optical splitter for sensitivity measurement

Optical Switches

Different combinations 1x2, 1x4, 1x8, 2x8 and more

Optical Spectrum Analyzer

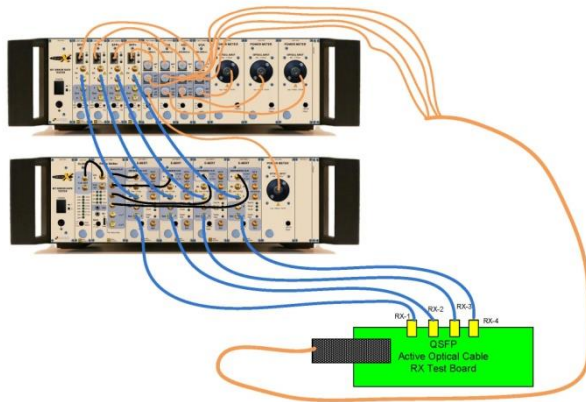
C-Band or L-band; for quick wavelength verification

O/E converter using MSA transceiver

XFP type and SFP+ type



APPLICATION EXAMPLE QSFP TEST

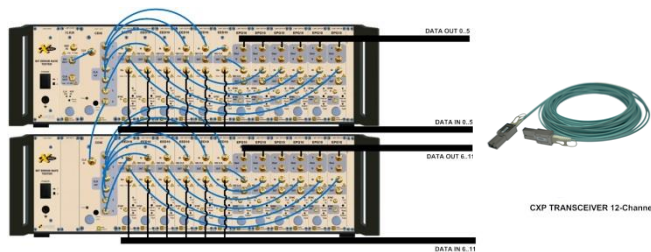


Full four channel simultaneous crosstalk and sensitivity test

Contains of

- 1x Clock source
- 1x Phase Shifter
- 4x BERT
- 4x O/E converter
- 4x Variable optical attenuator
- 4x Optical power meter

APPLICATION EXAMPLE 120G CXP TEST



Full twelve channel simultaneous Bit Error Rate test for CXP

Contains of

- 12x Pattern Generator
- 12x Error Detector
- 1x Clock source
- 2x clock distributor

www.LUCEOtec.com

LUCEO
Technologies GmbH
Am Borsigturm 13
13507 Berlin Germany
+49 30 814 512 40 00 ph
+49 30 814 512 40 20 fax
sales@luceotec.com